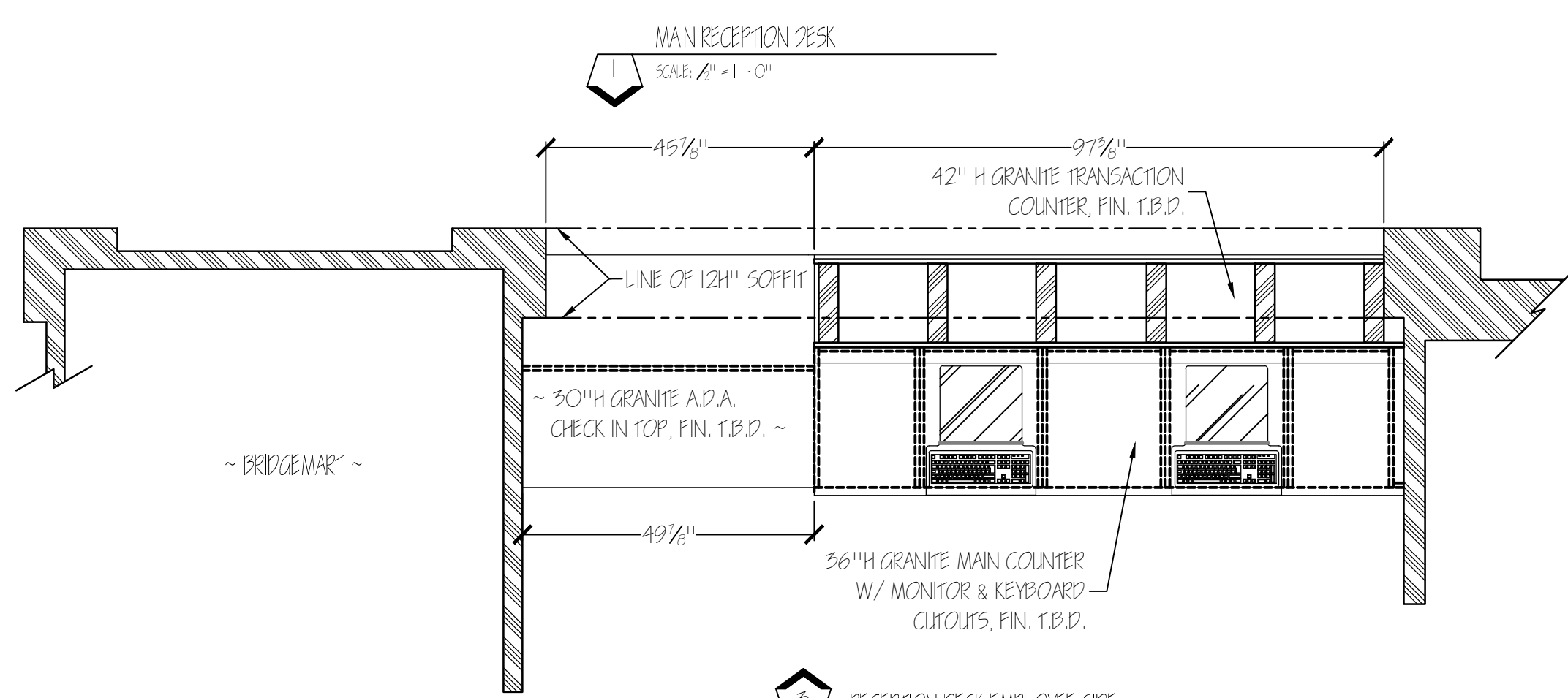
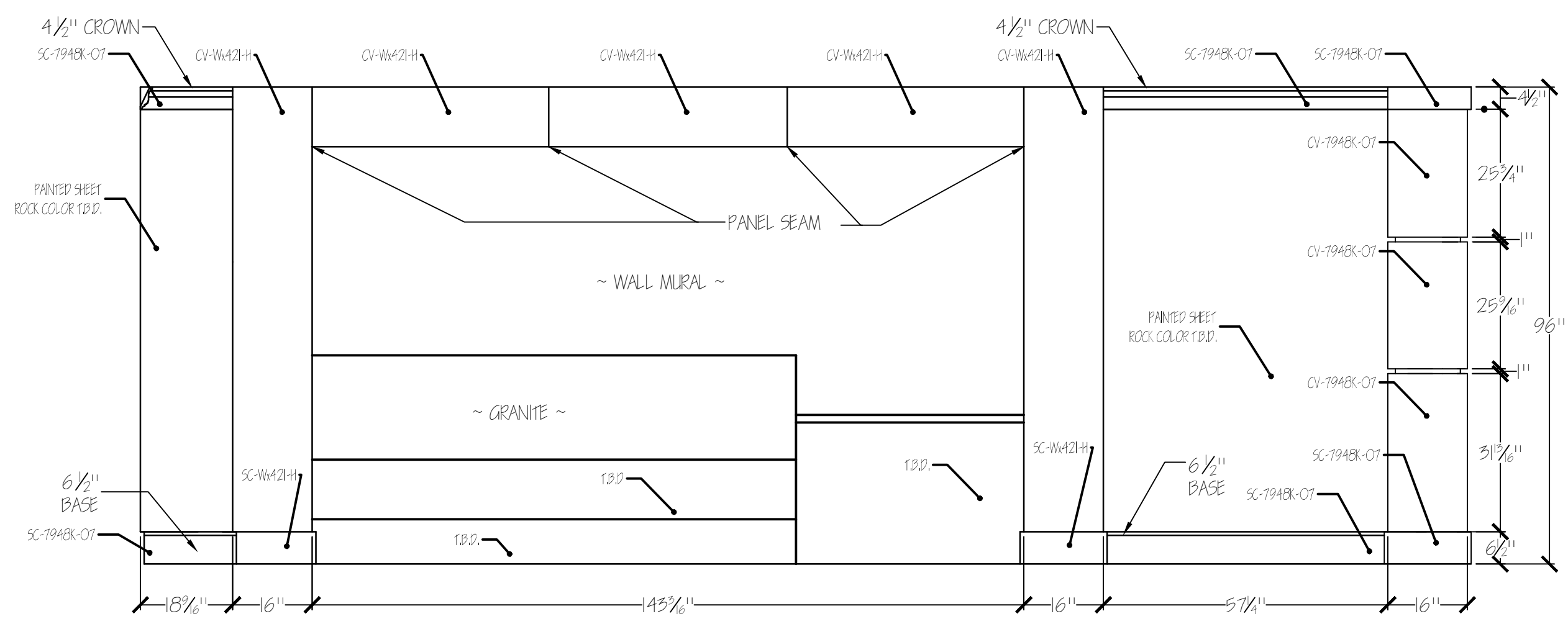


2 PLANTER/BENCH
SCALE: 1/2" = 1'-0"

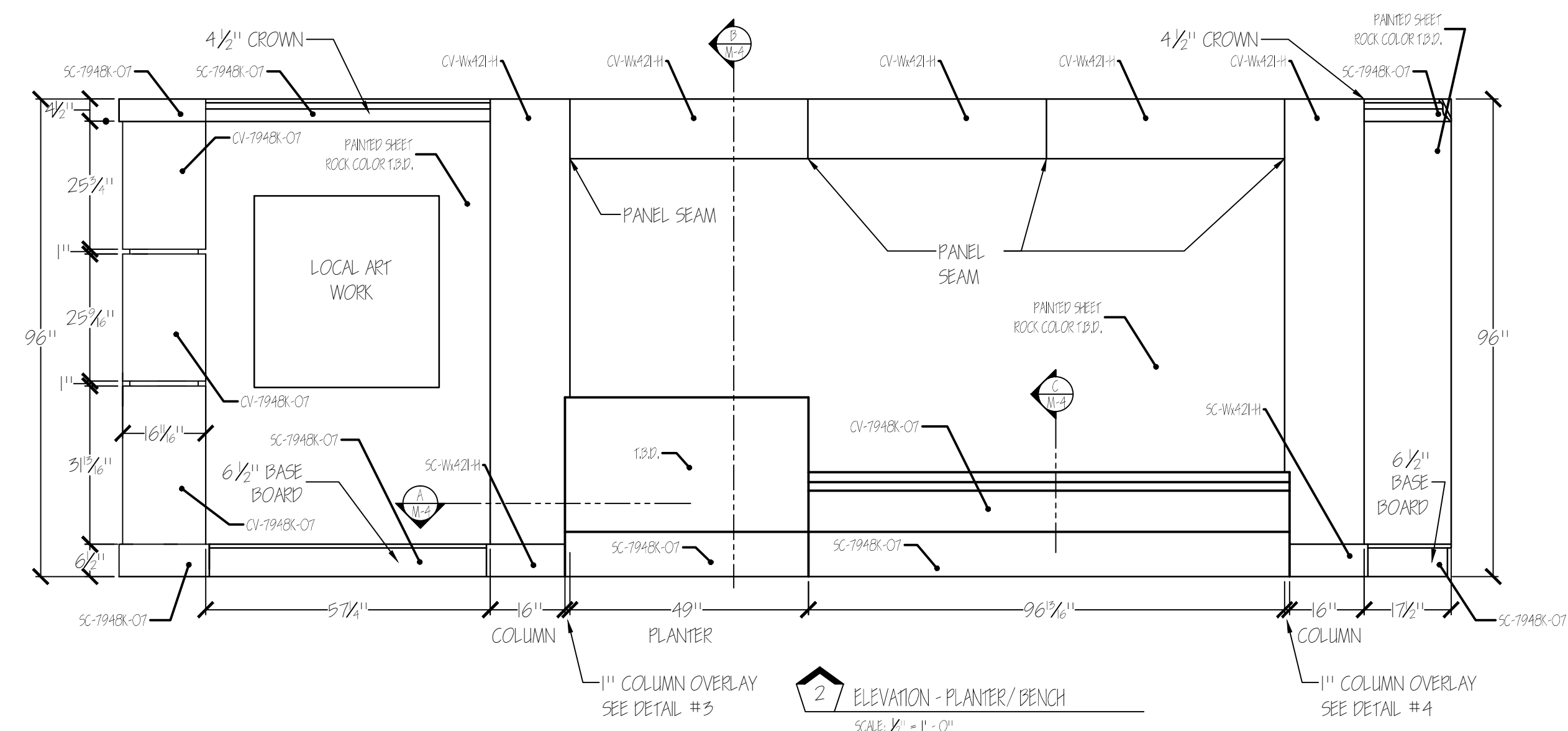
~ MAIN RECEPTION ~



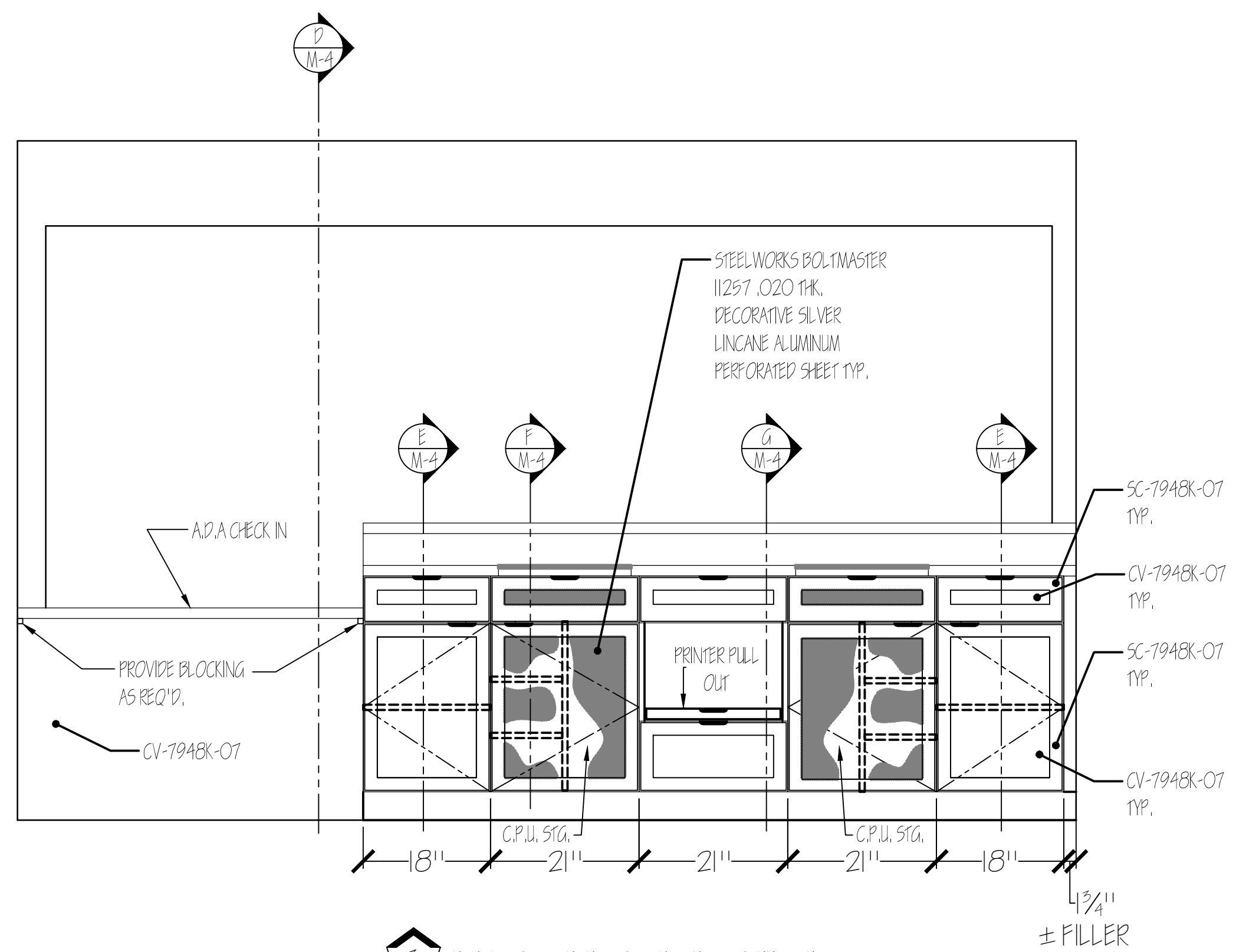
3 RECEPTION DESK EMPLOYEE SIDE
SCALE: 1/2" = 1'-0"



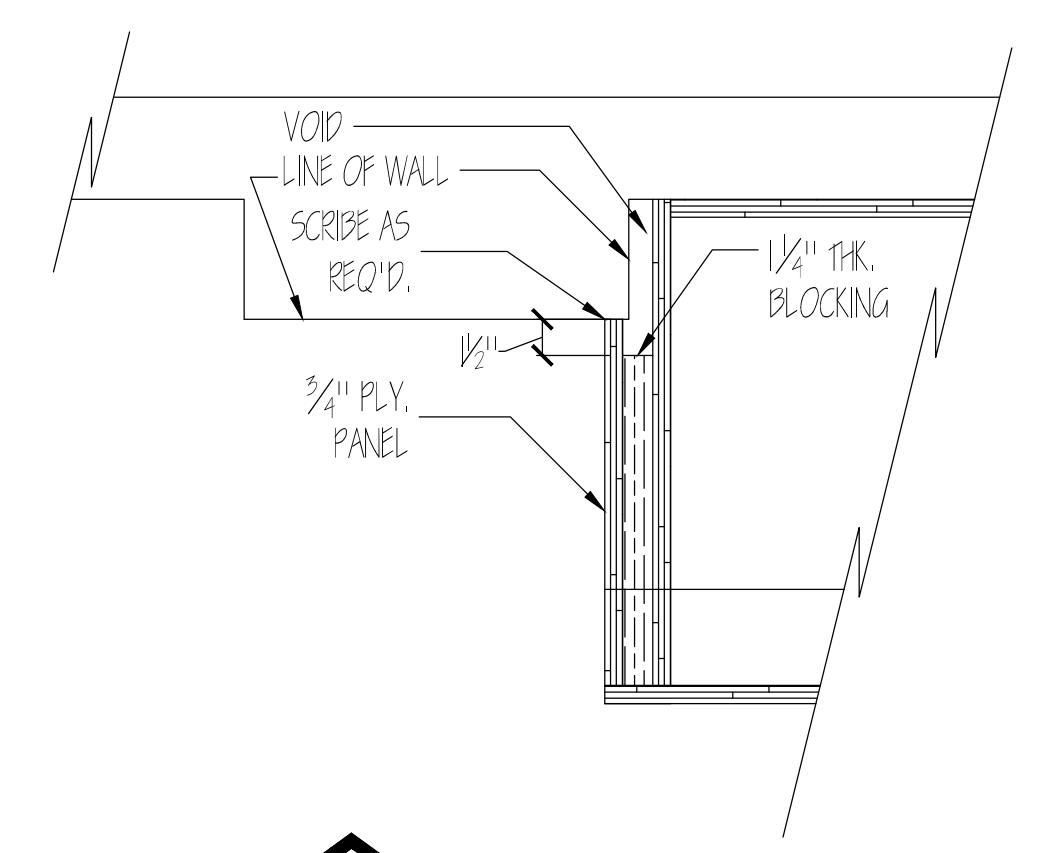
1 RECEPTION DESK GUEST SIDE
SCALE: 1/2" = 1'-0"



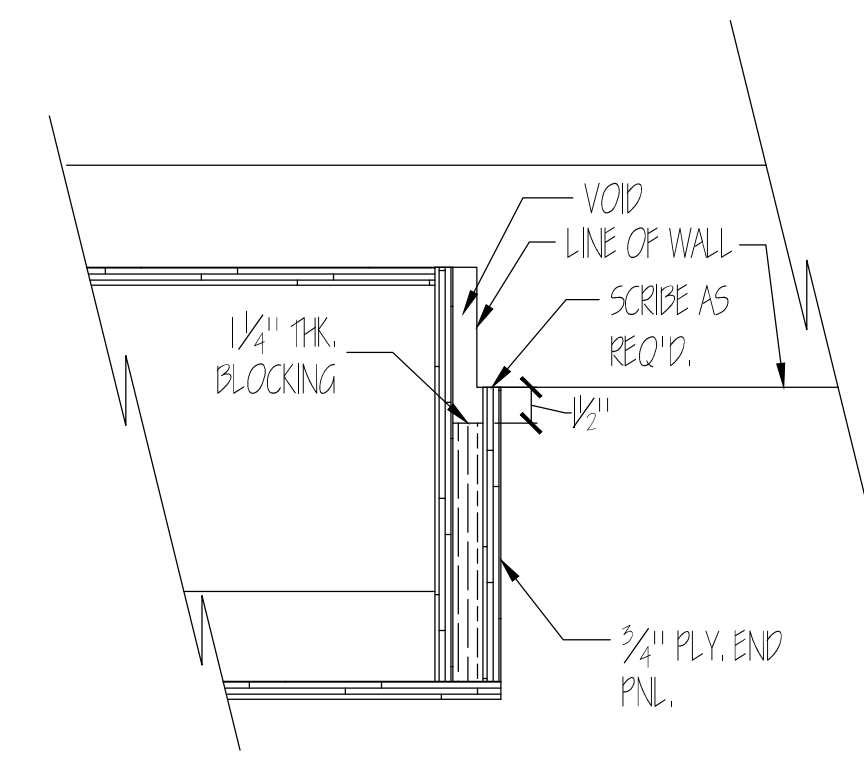
2 ELEVATION - PLANTER/BENCH
SCALE: 1/2" = 1'-0"



3 ELEVATION - RECEPTION DESK EMPLOYEE SIDE
SCALE: 3/4" = 1'-0"



3 DETAIL
SCALE: 1 1/2" = 1'-0"



4 DETAIL
SCALE: 1 1/2" = 1'-0"

YOUR COMPANY NAME, LOGO & CONTACT INFO. HERE:

YOUR PROJECT INFO. HERE:

- MATERIALS:**
- * CV-7948K-07
3/4" CHERRY VENEER PLYWOOD. FINISH TO MATCH WILSONART LAMINATE # 7948K-07 "MAMBO"
 - * SC-7948K-07
SOLID CHERRY FINISH TO MATCH WILSONART LAMINATE # 7948K-07 "MAMBO"
 - * CV-WX421-H
3/4" CHERRY VENEER PLYWOOD FINISH TO MATCH PIONITE LAMINATE #WX421-H "WITCHCRAFT"
 - * SC-WX421-H
SOLID CHERRY FINISH TO MATCH PIONITE LAMINATE #WX421-H "WITCHCRAFT"
 - * T.B.D.
MATERIAL/FINISH TO BE DETERMINED

COUNTERTOP: * 3/4" GRANITE - STONE NAME & FIN. T.B.D.

NOTES: CHERRY WOOD SPECIES MAY BE SUBSTITUTED FOR OTHER SPECIES PER SAMPLES SUBMITTED AND APPROVED BY I.H.G. REPRESENTATIVE

APPROVED: _____
DATE: _____

REVISIONS:		
3.4.10		
DRAWN BY: G.R.S.	DATE: 1.7.10	SCALE: AS NOTED
JOB NO.:	DWG.#	M-3