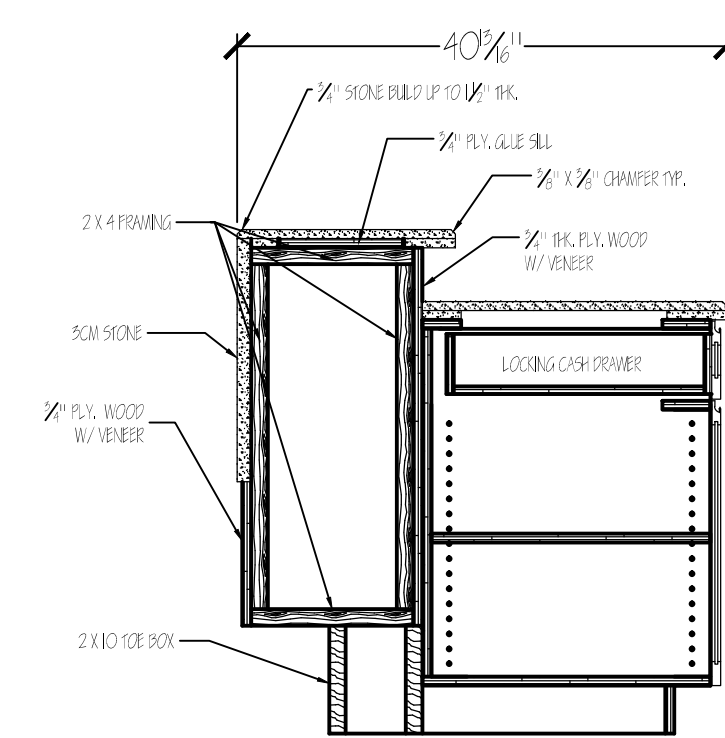
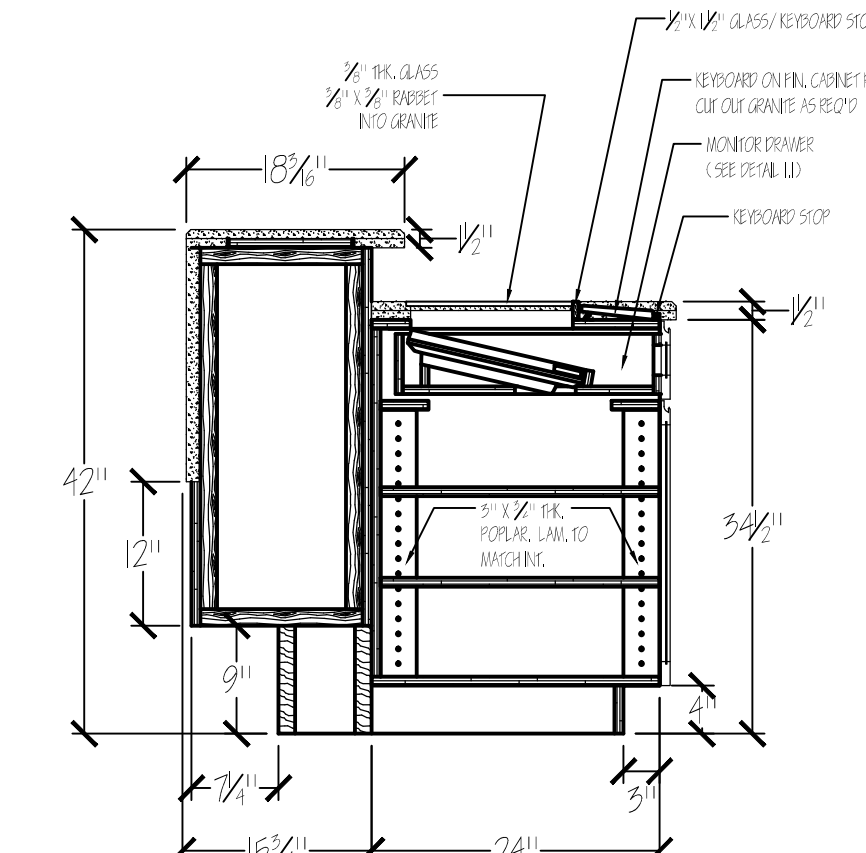


SECTION B
SCALE: 1" = 1' - 0"



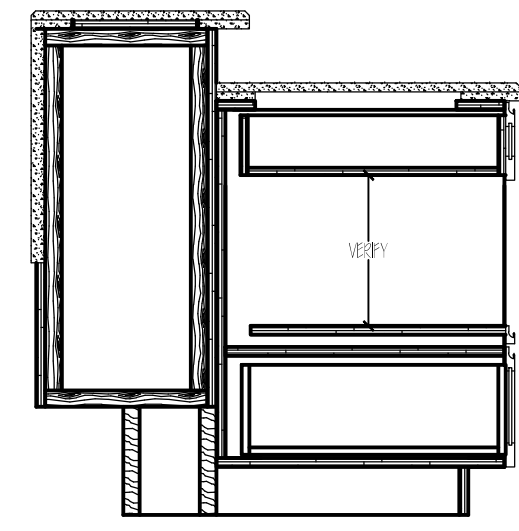
NOTE:
~ ALL FINISHED CABINET INTERIOR COMPONENTS TO BE 3/4" VENEER CORE, MAPLE PLYWOOD W/ CLEAR COAT FIN.

SECTION E
SCALE: 3/4" = 1' - 0"



NOTE:
~ ALL MONITOR CUT OUT DIMS TO BE CONFIRMED WITH EQUIPMENT MAKE AND MODEL #
~ MIRROR IMAGE FOR OTHER C.P.U. CABINET

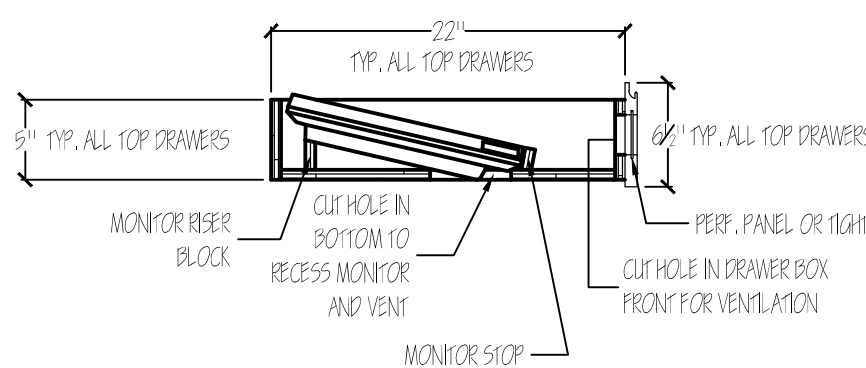
SECTION I
SCALE: 3/4" = 1' - 0"



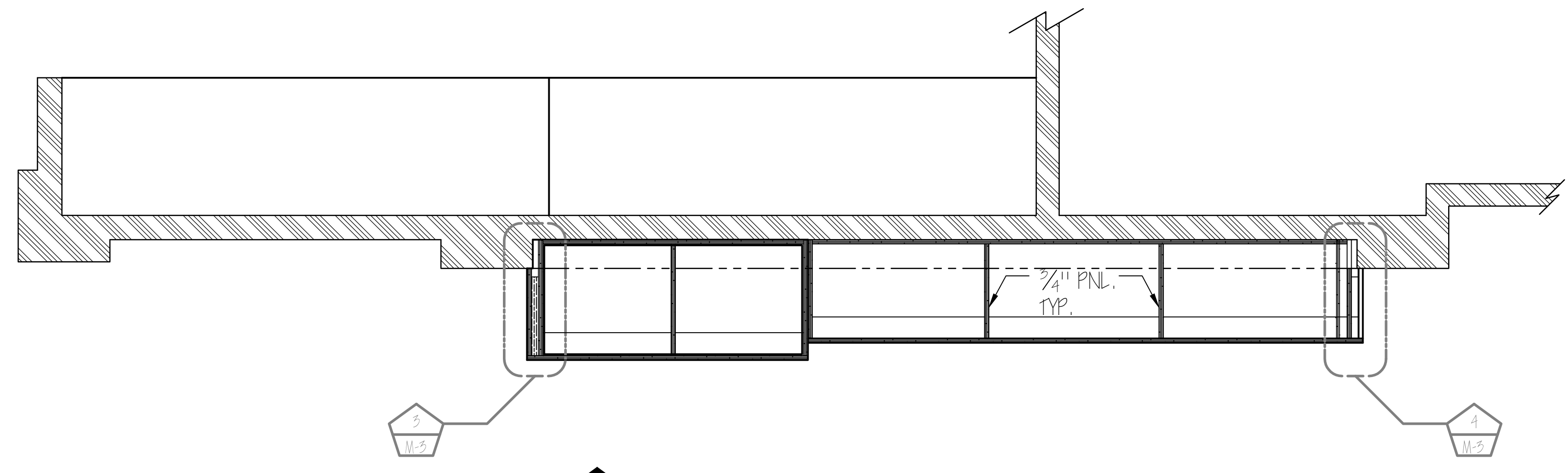
VERIFY = VERIFY DIMS. WITH PRINTER MAKE AND MODEL #

SECTION G
SCALE: 3/4" = 1' - 0"

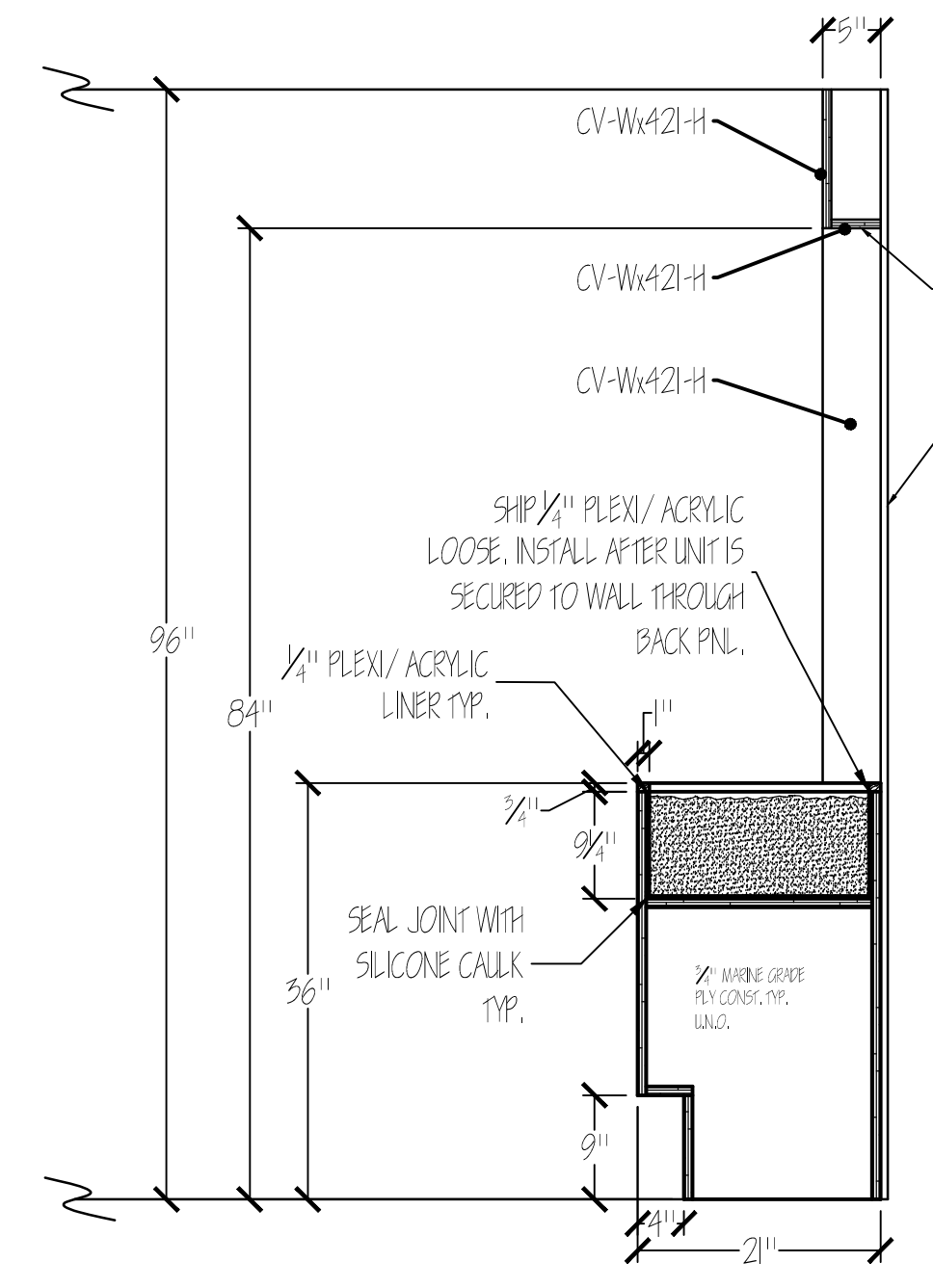
NOTE:
~ ALL MONITOR CUT OUT DIMS TO BE CONFIRMED WITH EQUIPMENT MAKE AND MODEL #
~ ALL DRAWER BOX COMPONENTS TO BE 3/4" VENEER CORE, MAPLE PLYWOOD W/ CLEAR COAT FIN. USE RABBIT JOINT CONSTRUCTION.



DETAIL I.1
SCALE: 1" = 1' - 0"

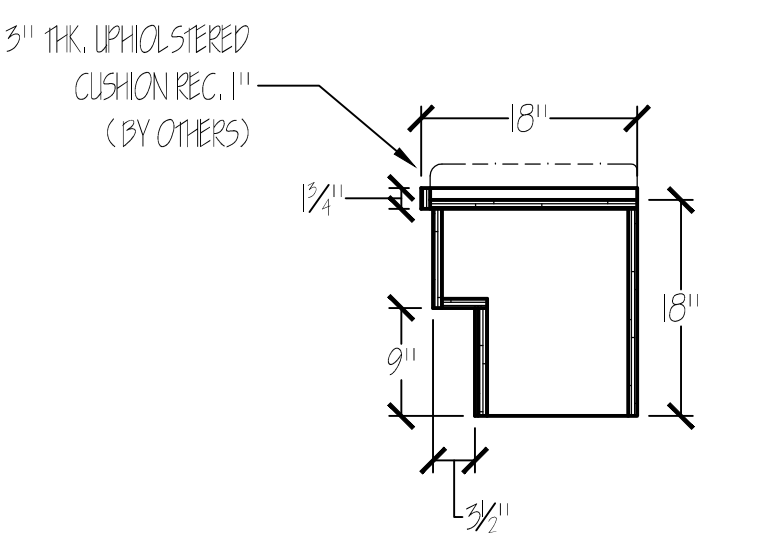


SECTION A
SCALE: 3/4" = 1' - 0"

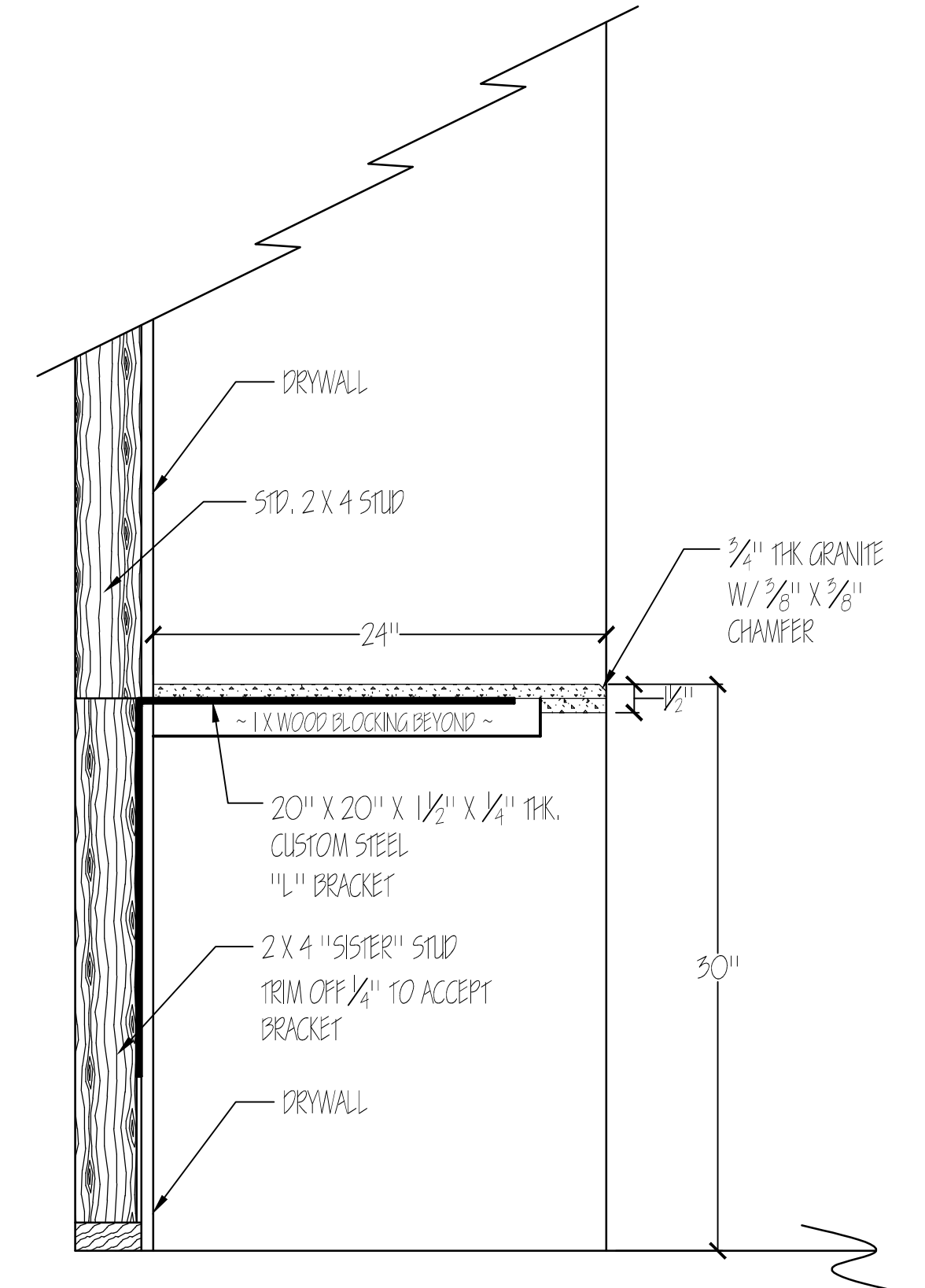


SECTION B
SCALE: 3/4" = 1' - 0"

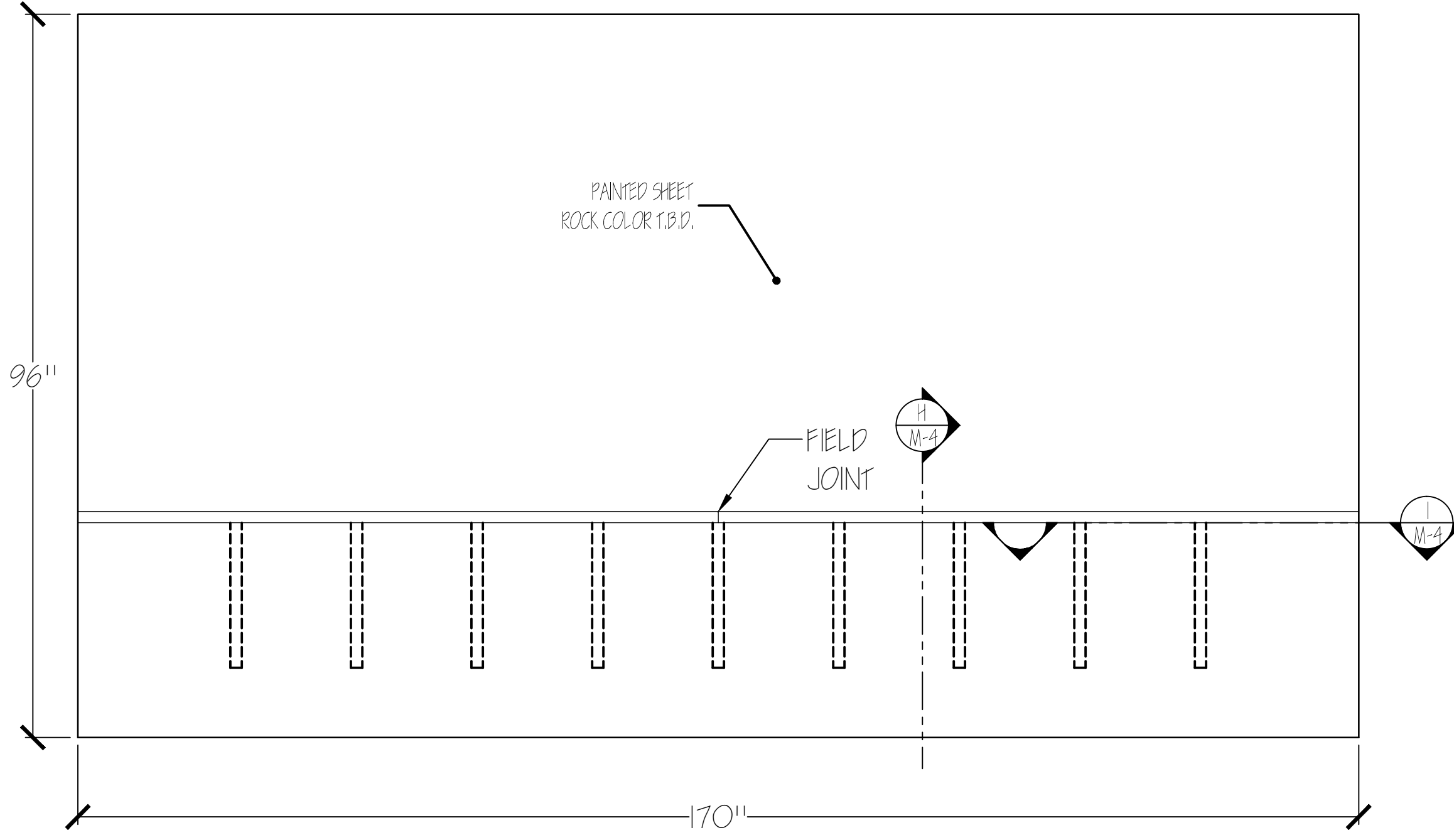
NOTE:
SHIP TOE LOOSE - INSTALLER TO SECURE UNIT TO WALL THROUGH OPENING. APPLY TOE AFTER INSTALL. COVER VISIBLE FASTENERS W/ 1/4" FIN. MATCH MATERIAL.



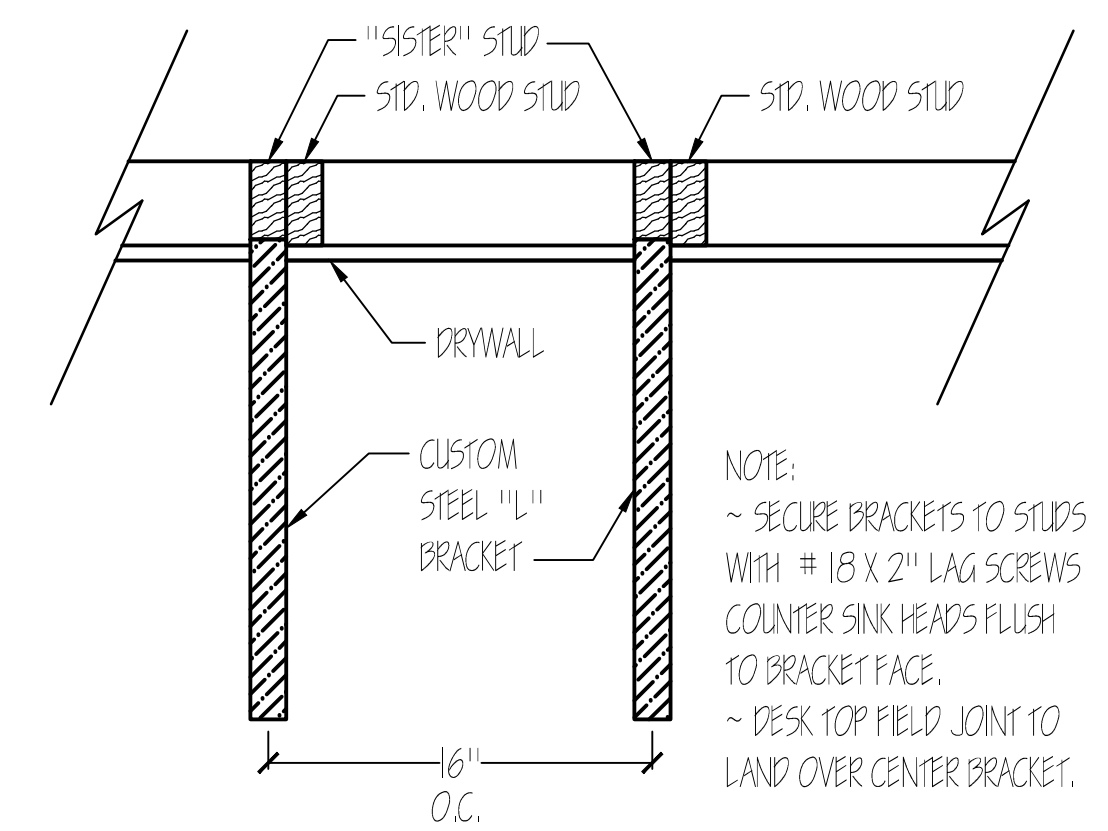
SECTION C
SCALE: 3/4" = 1' - 0"



DETAIL H
SCALE: 1 1/2" = 1' - 0"



BUSINESS CENTER
SCALE: 3/4" = 1' - 0"



DETAIL I
SCALE: 1 1/2" = 1' - 0"

NOTE:
~ SECURE BRACKETS TO STUDS WITH #18 X 2" LAG SCREWS COUNTER SINK HEADS FLUSH TO BRACKET FACE.
~ DESK TOP FIELD JOINT TO LAND OVER CENTER BRACKET.

APPROVED: _____
DATE: _____

YOUR COMPANY NAME, LOGO & CONTACT INFO. HERE:

YOUR PROJECT INFO. HERE:

- MATERIALS:**
- * CV-7948K-07
3/4" CHERRY VENEER PLYWOOD. FINISH TO MATCH WILSONART LAMINATE # 7948K-07 "MAMBO"
 - * SC-7948K-07
SOLID CHERRY FINISH TO MATCH WILSONART LAMINATE # 7948K-07 "MAMBO"
 - * CV-WX421-H
3/4" CHERRY VENEER PLYWOOD FINISH TO MATCH PIONITE LAMINATE #WX421-H "WITCHCRAFT"
 - * SC-WX421-H
SOLID CHERRY FINISH TO MATCH PIONITE LAMINATE #WX421-H "WITCHCRAFT"
 - * T.B.D.
MATERIAL/FINISH TO BE DETERMINED

* 3/4" GRANITE - STONE NAME & FIN. T.B.D.

CHERRY WOOD SPECIES MAY BE SUBSTITUTED FOR OTHER SPECIES PER SAMPLES SUBMITTED AND APPROVED BY I.H.G. REPRESENTATIVE

REVISIONS:		
3.4.10		
DRAWN BY: G.R.S.	DATE: 1.7.10	SCALE: AS NOTED
JOB NO.:	DWG.# M-3	